



Date: _____ Quantity: _____

Company: _____

Project: _____



64PXL Board RGB

64PXL Board RGB features 64 individually controllable ultra bright SMT LEDs on a 8 x 8 matrix with a 31.25mm pitch. Although the LEDs provide ultra brightness, high resolution videos and graphic replays can be created by combining multiple boards. TX Control with advanced DMX control and Smart Chip technology lets the 64PXL Board excel in near to any backdrop applications.



Product Specifications

Light Source	64 High intensity Nichia SMT LEDs (individually controllable)
Color Range	16.7 Million additive RGB colors
Color Resolution	3 x 12-bit (Gamma correction)
Beam Angle	120°
Luminous Flux	429 lm
Efficacy	30 lm/W
LED Pitch	31.25mm / 1.23"
Dimensions (L x W x H)	240 x 240 x 11.5mm 9.45" x 9.45" x 0.45"
Weight	0.25kg / 0.55lbs
Regulatory Listing & Safety Approval	CE, FCC, cETLus
Operating Temperature	0°C to +50°C / +32°F to +122°F
Storage Temperature	-20°C to +70°C / -4°F to +158°F
Environment	Indoor
Humidity	0 to 90%, non-condensing

Electrical Specifications

Input Voltage	24V DC
Power Consumption	24W max.

System Specifications

Power / Data Interface	TX Connect Smart Indoor
Control	DMX512 / e:pix / DVI capable
Power Supply	LED Engine Smart 100W Indoor; LED Engine Smart 300W Indoor (see Ordering page for details)
Addressing Options	DMX Auto-Addressing

LED CHARACTERISTICS Because LEDs are semiconductor devices, their performances are subject to inherent variability commonly found in semiconductor industry. To improve consistency in performance across the same product, LED manufacturers "sort" LEDs into bins according to different preset parameters, such as forward driving voltage, illumination, etc. Whereas binning is a sorting function, it is not a correction process. Inherent variability in the manufacturing process results always in different binning distributions according to different production lots. Traxon uses automatically binned LEDs on its products, thereby minimizing output variations within the model range.

As with all electronic devices, LED output degrades over time – a term called lumen depreciation. This also explains why it is nearly impossible to expect photometric performances of two LED products with different service life spans to be the same. The rate of LED degrade is a complicate function of many factors such as operating efficiency, duration of continuous operation, and more significantly, environmental conditions (ambient temperature for example). If allowed working under optimal operating temperature range and with good ventilation, LED devices enjoy long service lives over conventional light sources. When using/installing LED devices, care should be taken to ensure that the devices will operate within the operating conditions specified in respective product literature.

www.traxontechnologies.com

©2016 TRAXON TECHNOLOGIES - AN OSRAM BUSINESS. ALL RIGHTS RESERVED. TRAXON™, TX CONNECT®, ARE TRADEMARKS OF TRAXON TECHNOLOGIES. U.S. PATENTS, E.U. PATENTS, JAPAN PATENTS, OTHER PATENTS PENDING. SPECIFICATIONS ARE SUBJECT TO CHANGE WITHOUT NOTICE.

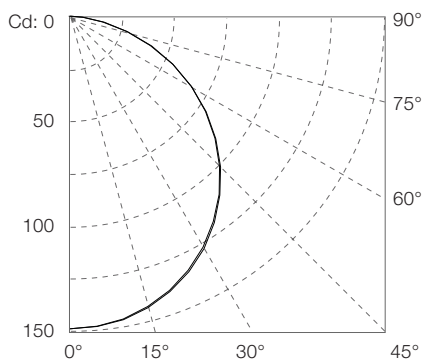


64PXL Board RGB

Photometrics

Candela Distribution

Light Output



Color	Luminous Flux (lm)	Power (Watts)	Efficacy (lm/W)
White	429.2	14.42	29.76
Red	130.1	4.82	26.99
Green	270.2	7.82	34.55
Blue	39.5	3.84	10.29

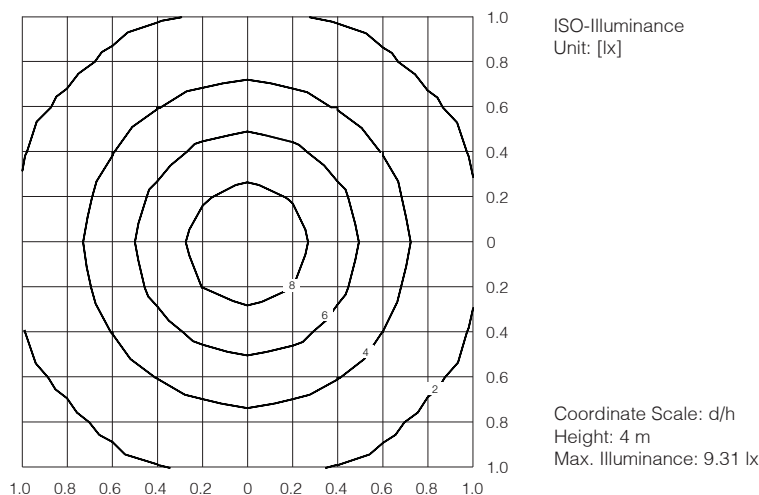
• Luminance: 2587 cd/m² (nits)

- Measured on: White
- Beam angle (50% Imax): 115°

Illuminance

Distance	10cm/3.9"	25cm/9.8"	50cm/19.7"	72cm/29.5"	100cm/39.4"	• Measured on: White
Lux	14900	2384	596	265	149	
50% Imax (diameter)	31cm/12.2"	78cm/30.7"	157cm/61.8"	235cm/92.5"	308cm/123.6"	

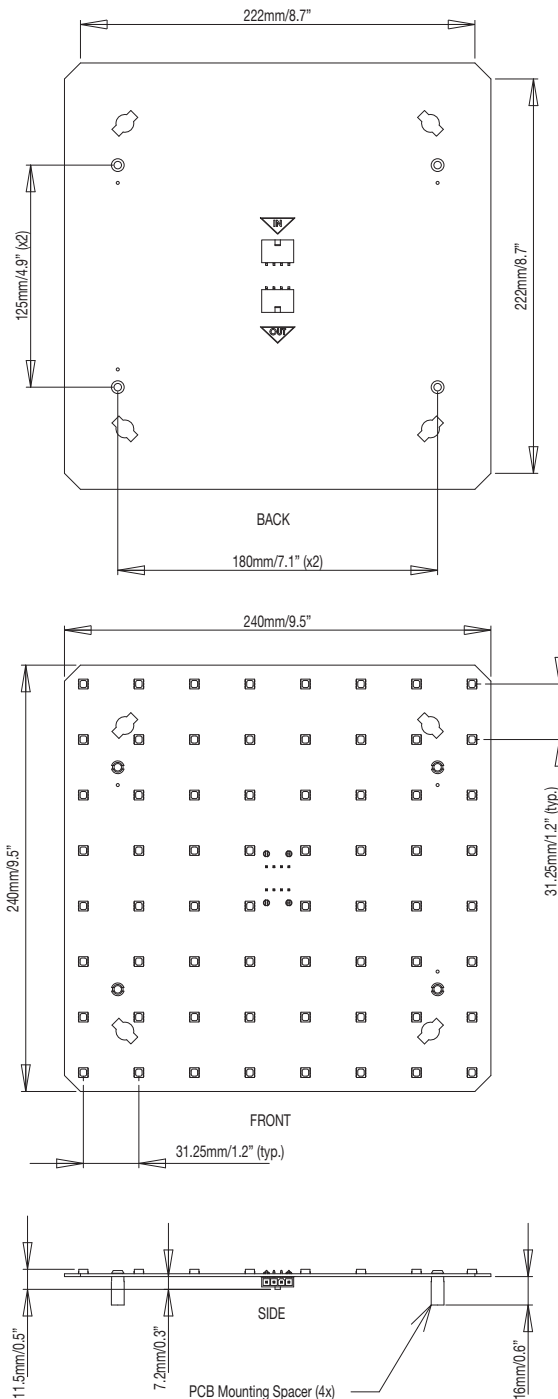
Illuminance at a Distance



Photometric measurements are carried out by an independent laboratory. IES and LDT files are available for download from the Traxon website.



64PXL Board RGB Dimensions

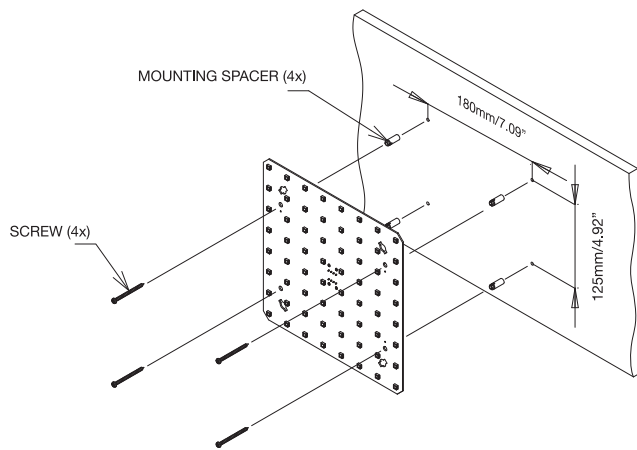


www.traxontechnologies.com

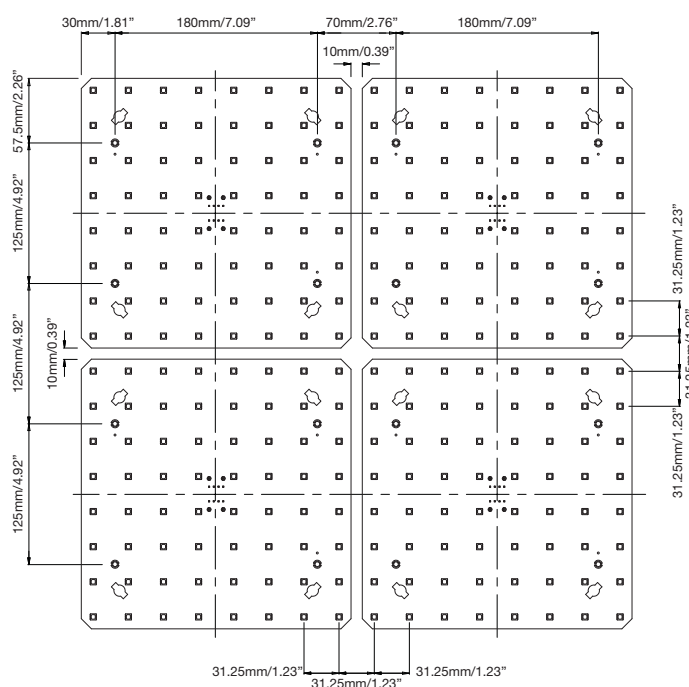
©2016 TRAXON TECHNOLOGIES - AN OSRAM BUSINESS. ALL RIGHTS RESERVED. TRAXON™, TX CONNECT®, ARE TRADEMARKS OF TRAXON TECHNOLOGIES. U.S. PATENTS, E.U. PATENTS, JAPAN PATENTS, OTHER PATENTS PENDING. SPECIFICATIONS ARE SUBJECT TO CHANGE WITHOUT NOTICE.




64PXL Board RGB Mounting




Mounting Multiple Boards



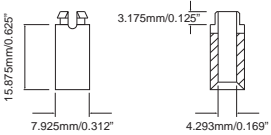
Mounting Accessories



4 x Nylon Spacers



4 x 35mm Screws



Nylon Spacer Dimensions

15.875mm/0.625" 3.175mm/0.125"
7.925mm/0.312" 4.293mm/0.169"

www.traxontechnologies.com

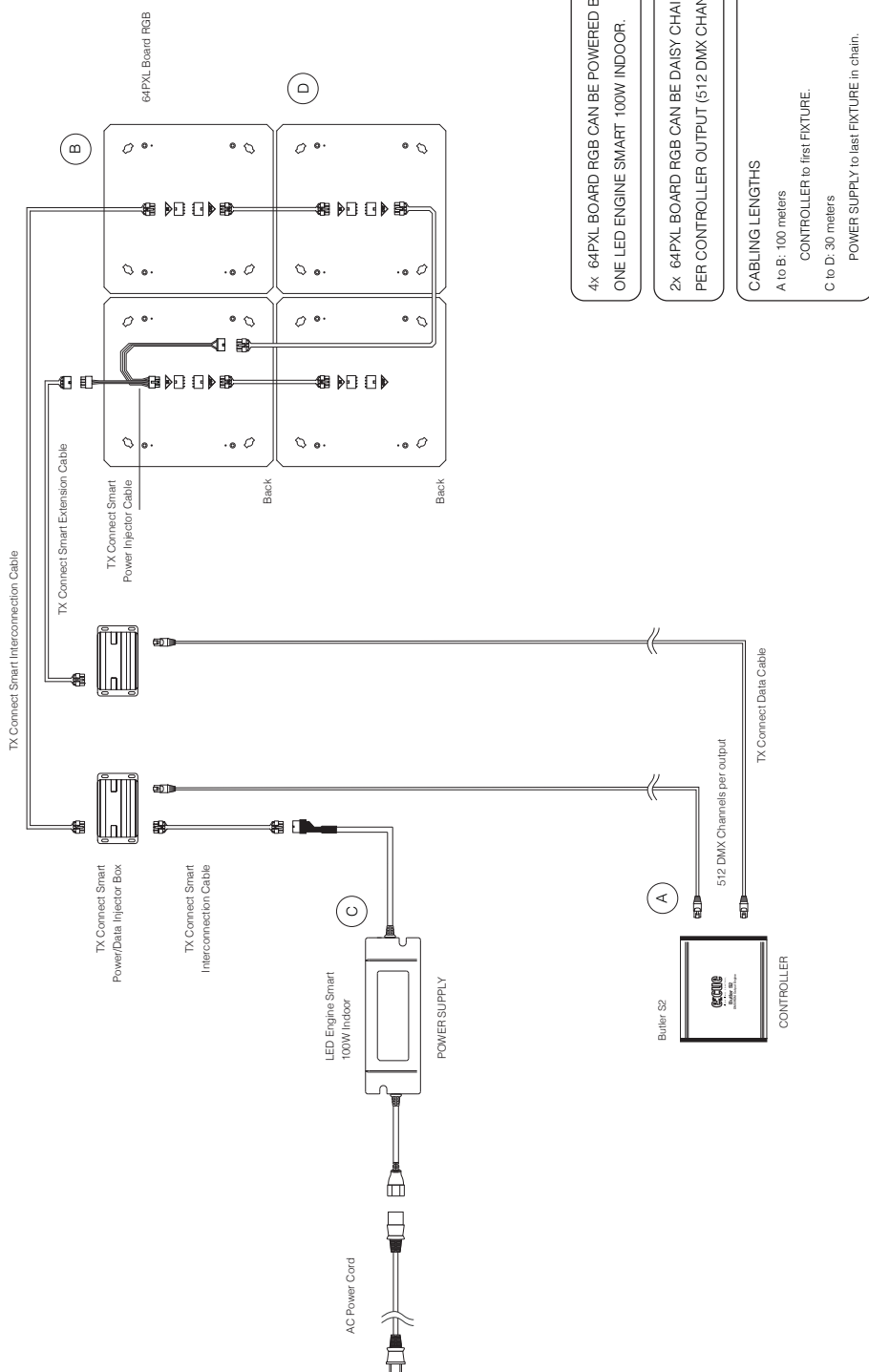
©2016 TRAXON TECHNOLOGIES - AN OSRAM BUSINESS. ALL RIGHTS RESERVED. TRAXON™, TX CONNECT®, ARE TRADEMARKS OF TRAXON TECHNOLOGIES. U.S. PATENTS, E.U. PATENTS, JAPAN PATENTS, OTHER PATENTS PENDING. SPECIFICATIONS ARE SUBJECT TO CHANGE WITHOUT NOTICE.



64PXL Board RGB

System Diagram

System Diagram - Butler S2



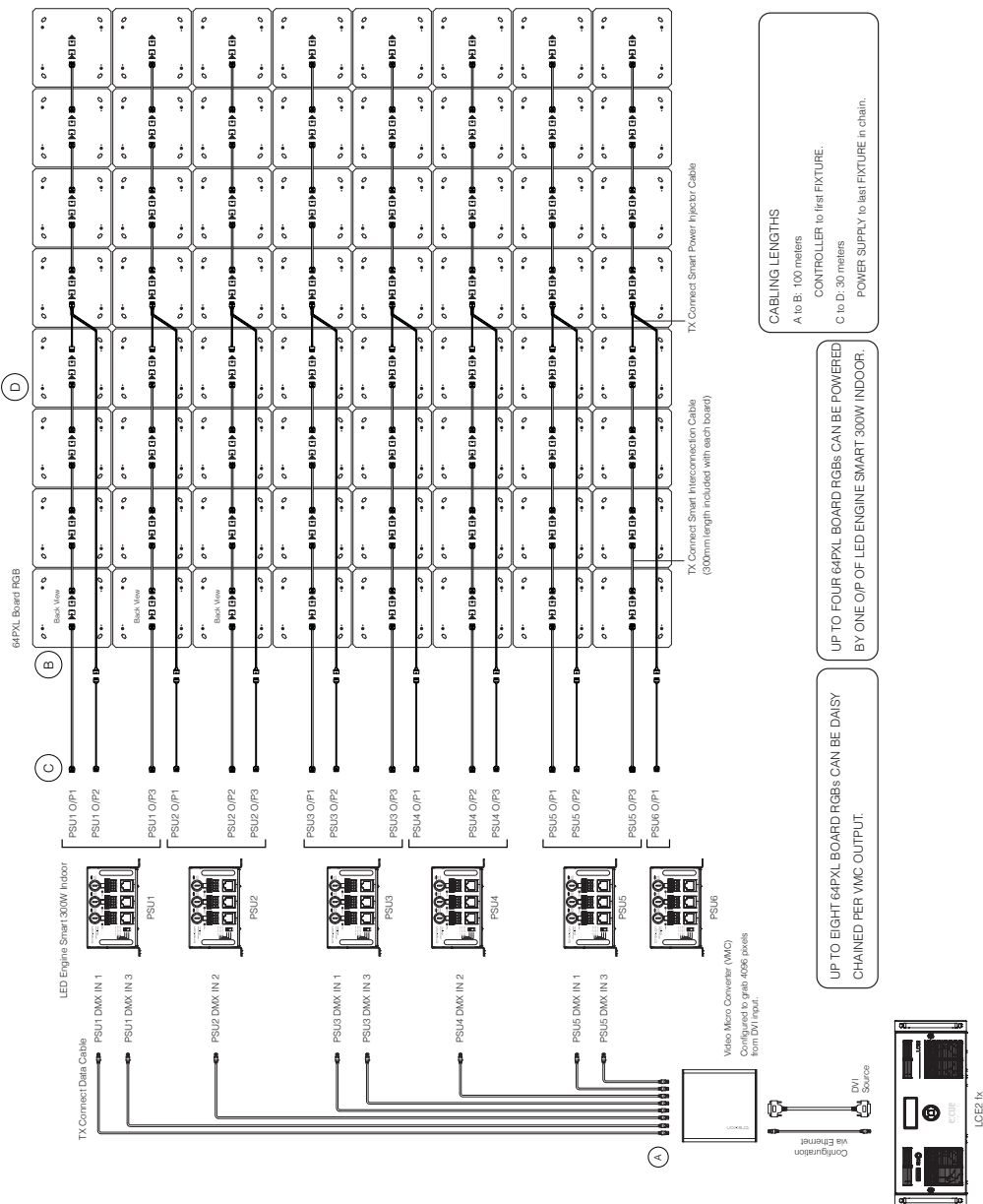
- 4x 64PXL BOARD RGB CAN BE POWERED BY ONE LED ENGINE SMART 100W INDOOR.
- 2x 64PXL BOARD RGB CAN BE DAISY CHAINED PER CONTROLLER OUTPUT (512 DMX CHANNELS).
- CABLING LENGTHS**
 A to B: 100 meters
 CONTROLLER to first FIXTURE.
 C to D: 30 meters
 POWER SUPPLY to last FIXTURE in chain.



64PXL Board RGB

System Diagram

System Diagram - VMC



CABLING LENGTHS
 A to B: 100 meters
 CONTROLLER to first FIXTURE.
 C to D: 30 meters
 POWER SUPPLY to last FIXTURE in chain.

UP TO FOUR 64PXL BOARD RGBs CAN BE POWERED BY ONE OP OF LED ENGINE SMART 300W INDOOR.

UP TO EIGHT 64PXL BOARD RGBs CAN BE DAISY CHAINED PER VMC OUTPUT.



64PXL Board RGB

Ordering

Fixtures

Model No.	Description	Item Code
MB.BO.7214001	64PXL Board RGB	AA438400055

Standard Accessories (included in delivery)

Model No.	Description	Item Code
TI.IC.0030000	TX CONNECT Smart Indoor Interconnection Cable, 30cm/11.82"	A63420F0055
N/A	1x Board Mounting Kit (4x Nylon Spacers, 4x Mounting Screws)	N/A

Add-On Strip and Board

Model No.	Description	Item Code
MB.ST.7213000	8PXL Add-On Strip RGB (31.25)	AA508340055
MB.BO.7110100	16PXL Add-On Board RGB (31.25)	AA436720055

TX Control

Model No.	Description	Item Code
EN.BU.0000001	Butler S2	AB436200031
160185	Video Micro Converter (DMX/e:pix)	AA438940235

TX Connect

Model No.	Description	Item Code
TI.ZI.0000100	TX CONNECT Smart Power/Data Injector Box	A704836003J
TI.PI.0000300	TX CONNECT Smart Power Injector Cable	AA556380055
TI.EC.0050000	TX CONNECT Smart Indoor Extension Cable, 0.5m/1.64ft	AA556350055
TI.EC.0100000	TX CONNECT Smart Indoor Extension Cable, 1m/3.28ft	A6342330055
TI.EC.0300000	TX CONNECT Smart Indoor Extension Cable, 3m/9.84ft	A6342410055
TI.EC.0500000	TX CONNECT Smart Indoor Extension Cable, 5m/16.4ft	AA580410055
TI.EC.1000000	TX CONNECT Smart Indoor Extension Cable, 10m/32.8ft	A6342680055
DI.IC.0100000	TX CONNECT Data Cable, 1m/3.28ft	AA556130055

TX Power

Model No.	Description	Item Code
PS.IA.0010000	LED Engine Smart 100W Indoor	AA624090055
PS.IB.7030000	LED Engine Smart 300W Indoor	AA5571201HA
PS.AC.0000100	AC Power Cord, 2m/6.6ft (EU)	AA553860055
PS.AC.0000200	AC Power Cord, 2m/6.6ft (US)	AA556290055
PS.AC.0000300	AC Power Cord, 2m/6.6ft (UK)	AA556300155
PS.AC.0000400	AC Power Cord, 2m/6.6ft (AU)	AA556310055



AN OSRAM BUSINESS

©2016 TRAXON TECHNOLOGIES - AN OSRAM BUSINESS. ALL RIGHTS RESERVED. TRAXON™, TX CONNECT®, ARE TRADEMARKS OF TRAXON TECHNOLOGIES. U.S. PATENTS, E.U. PATENTS, JAPAN PATENTS, OTHER PATENTS PENDING. SPECIFICATIONS ARE SUBJECT TO CHANGE WITHOUT NOTICE.