



Date: _____ Quantity: _____

Company: _____

Project: _____



Monochrome Tube CW

Monochrome Tube CW is an IP66-rated slim LED tube for any wall or façade accent-lighting. Available in 500mm, 995mm, and 1490mm lengths, the simple but robust construction, allows up to 24, 12, or 8 Tubes (12m) to be daisy chained using a single power supply.



Product Specifications

Models	500mm (48 LEDs)	995mm (96 LEDs)	1490mm (144 LEDs)
Light Source	High intensity SMT white LEDs		
Color Temperature	5700 K (Cold White)		
Luminous Flux¹	260.37 lm (995mm Tube)		
Efficacy¹	34.7 lm/W (995mm Tube)		
Cover Lens	PC Diffuser (CAST-UV protected)		
Housing	Aluminium housing, PC front diffuser		
Dimensions (L x W x H)	500mm x 17mm x 20mm 19.7" x 0.67" x 0.79"	995mm x 17mm x 20mm 39.2" x 0.67" x 0.79"	1490mm x 17mm x 20mm 58.7" x 0.67" x 0.79"
Weight	270g/0.59lbs	520g/1.14lbs	750g/1.65lbs
Regulatory Listing & Safety Approval	CE, cETLus		
Operating Temperature	-30°C to +50°C / -22°F to +122°F		
Storage Temperature	-40°C to +70°C / -40°F to +158°F		
Environment	Outdoor (IP66), suitable for coastal environments		
Humidity	0 to 90% non-condensing		

Electrical Specifications

Input Voltage	48V DC		
Current Rating	76mA max.	152mA max.	227mA max.
Power Consumption	3.7W max.	7.5W max. (approx. 7.5W per tube meter)	11W max.

System Specifications

Power / Data Interface	N/A
Control	Optional Dimming with DMX2PWM Dimmer
Power Supply	LED Engine 100W 48V Indoor, LED Engine 100W 48V Outdoor (see Ordering page for details)
Addressing Options	N/A

1. Based on photometric data and maximum power consumption of Monochrome Tube CW 995mm

LED CHARACTERISTICS Because LEDs are semiconductor devices, their performances are subject to inherent variability commonly found in semiconductor industry. To improve consistency in performance across the same product, LED manufacturers "sort" LEDs into bins according to different preset parameters, such as forward driving voltage, illumination, etc. Whereas binning is a sorting function, it is not a correction process. Inherent variability in the manufacturing process results always in different binning distributions according to different production lots. Traxon uses automatically binned LEDs on its products, thereby minimizing output variations within the model range.

As with all electronic devices, LED output degrades over time – a term called lumen depreciation. This also explains why it is nearly impossible to expect photometric performances of two LED products with different service life spans to be the same. The rate of LED degrade is a complicate function of many factors such as operating efficiency, duration of continuous operation, and more significantly, environmental conditions (ambient temperature for example). If allowed working under optimal operating temperature range and with good ventilation, LED devices enjoy long service lives over conventional light sources. When using/installing LED devices, care should be taken to ensure that the devices will operate within the operating conditions specified in respective product literature.

Lumen measurement complies with LM-79-08 standard.
Lumen maintenance is calculated based on LM-80 compliant measurement.

www.traxontechnologies.com

©2016 TRAXON TECHNOLOGIES - AN OSRAM BUSINESS. ALL RIGHTS RESERVED. TRAXON™, TX CONNECT®, ARE TRADEMARKS OF TRAXON TECHNOLOGIES. U.S. PATENTS, E.U. PATENTS, JAPAN PATENTS, OTHER PATENTS PENDING. SPECIFICATIONS ARE SUBJECT TO CHANGE WITHOUT NOTICE.



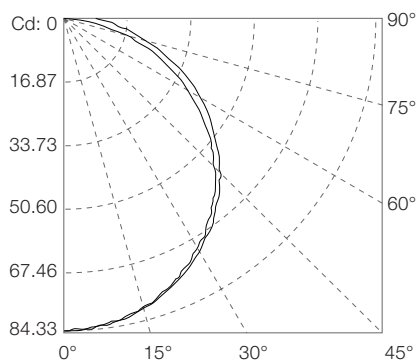
Monochrome Tube CW Photometrics

Source Specifications

LED Source	96 LEDs
------------	---------

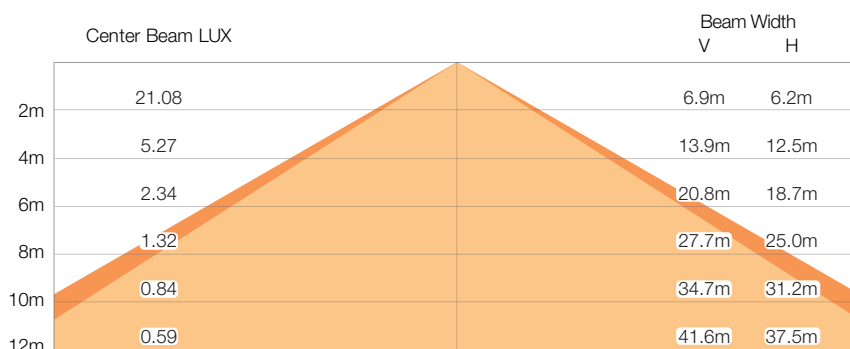
Candela Distribution

Light Output



Color	Luminous Flux (lumens)
White	260.37

Illuminance at a Distance



For feet multiply by 3.28

- Vert. Spread: 120.1°
- Horiz. Spread: 114.8°
- For fc divide by 10.7

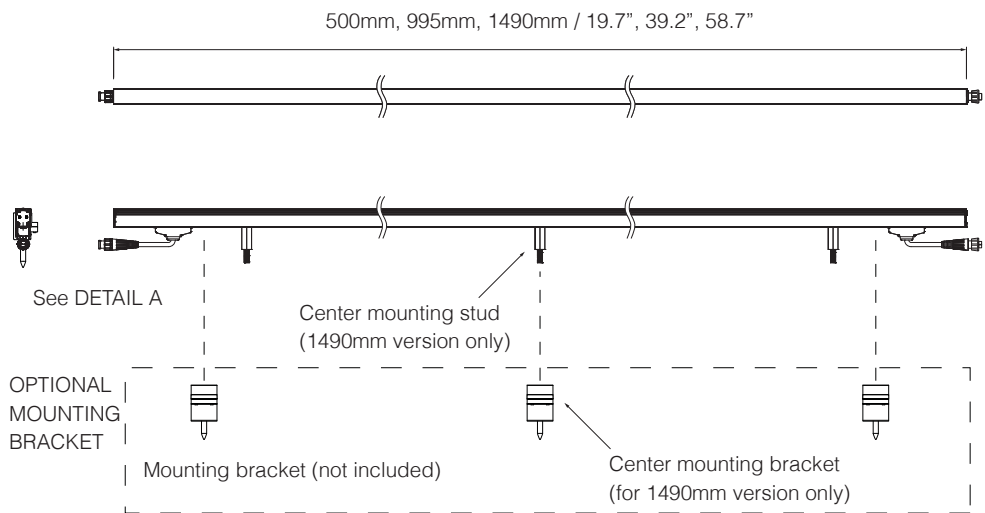
IES and LDT files are available for download from the Traxon website.

www.traxontechnologies.com

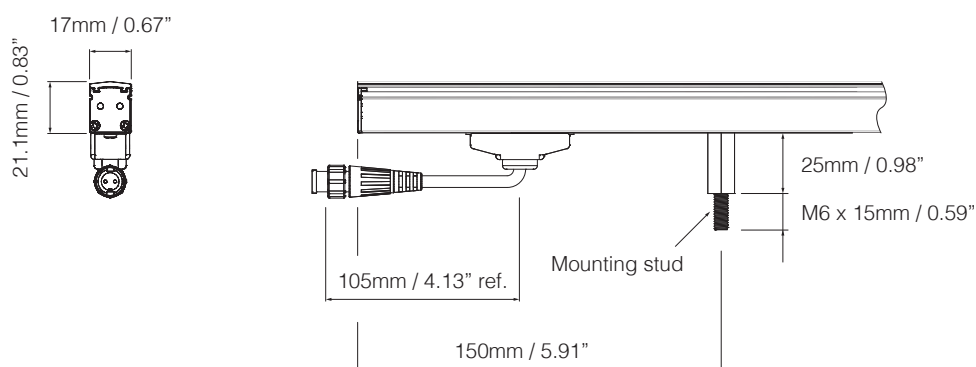
©2016 TRAXON TECHNOLOGIES - AN OSRAM BUSINESS. ALL RIGHTS RESERVED. TRAXON™, TX CONNECT®, ARE TRADEMARKS OF TRAXON TECHNOLOGIES. U.S. PATENTS, E.U. PATENTS, JAPAN PATENTS, OTHER PATENTS PENDING. SPECIFICATIONS ARE SUBJECT TO CHANGE WITHOUT NOTICE.



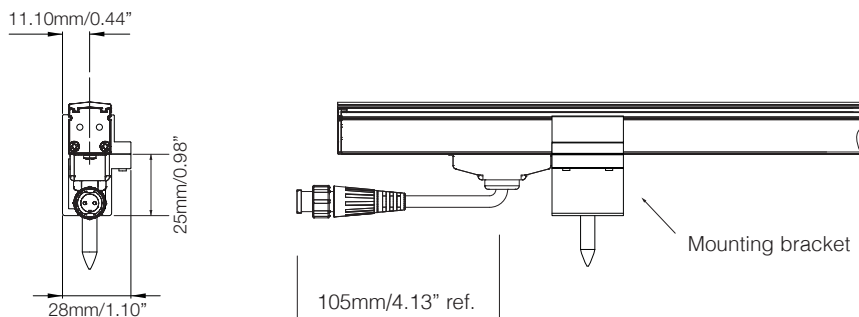
Monochrome Tube CW Dimensions



DETAIL A – with mounting stud



DETAIL A – with mounting bracket



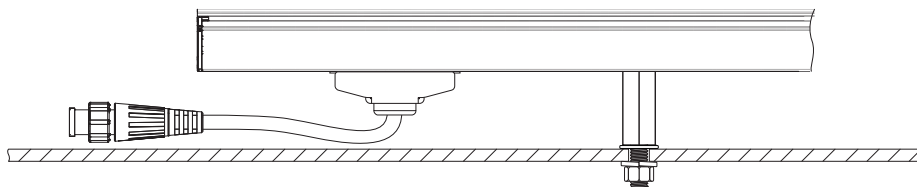
www.traxontechnologies.com

©2016 TRAXON TECHNOLOGIES - AN OSRAM BUSINESS. ALL RIGHTS RESERVED. TRAXON™, TX CONNECT®, ARE TRADEMARKS OF TRAXON TECHNOLOGIES. U.S. PATENTS, E.U. PATENTS, JAPAN PATENTS, OTHER PATENTS PENDING. SPECIFICATIONS ARE SUBJECT TO CHANGE WITHOUT NOTICE.

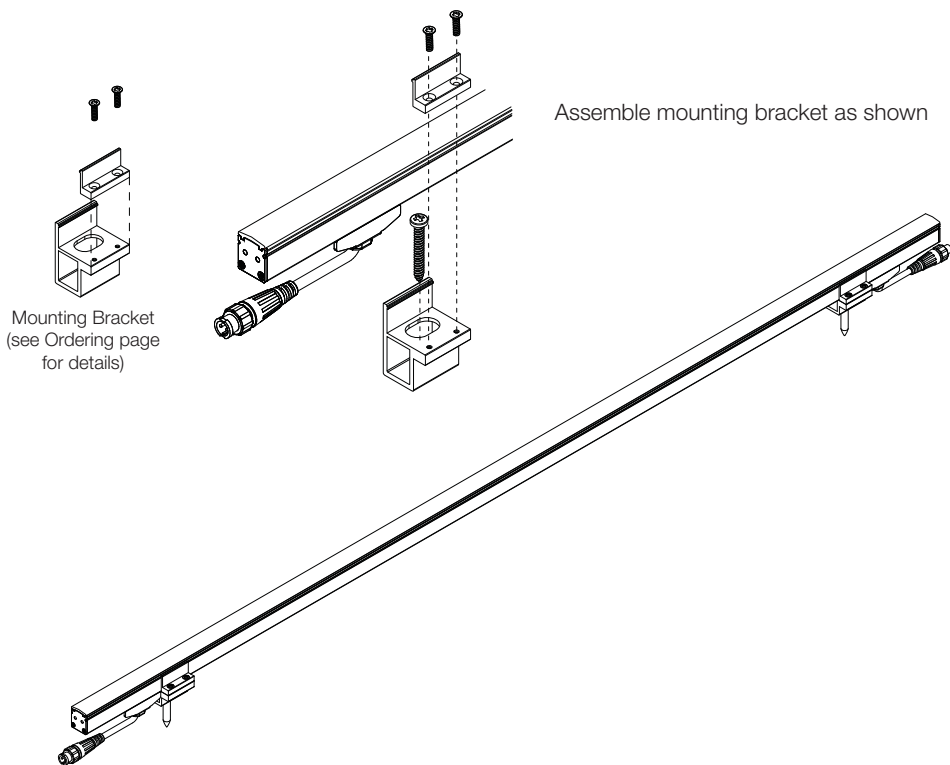
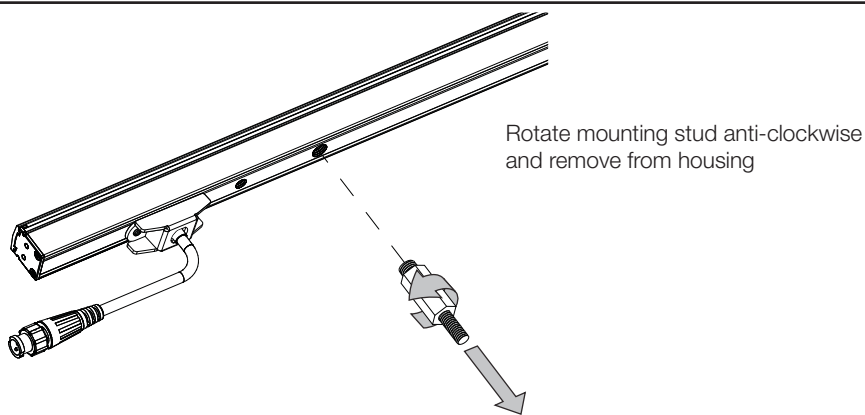


Monochrome Tube CW Mounting

Mounting Stud Method



Mounting Bracket Method



www.traxontechnologies.com

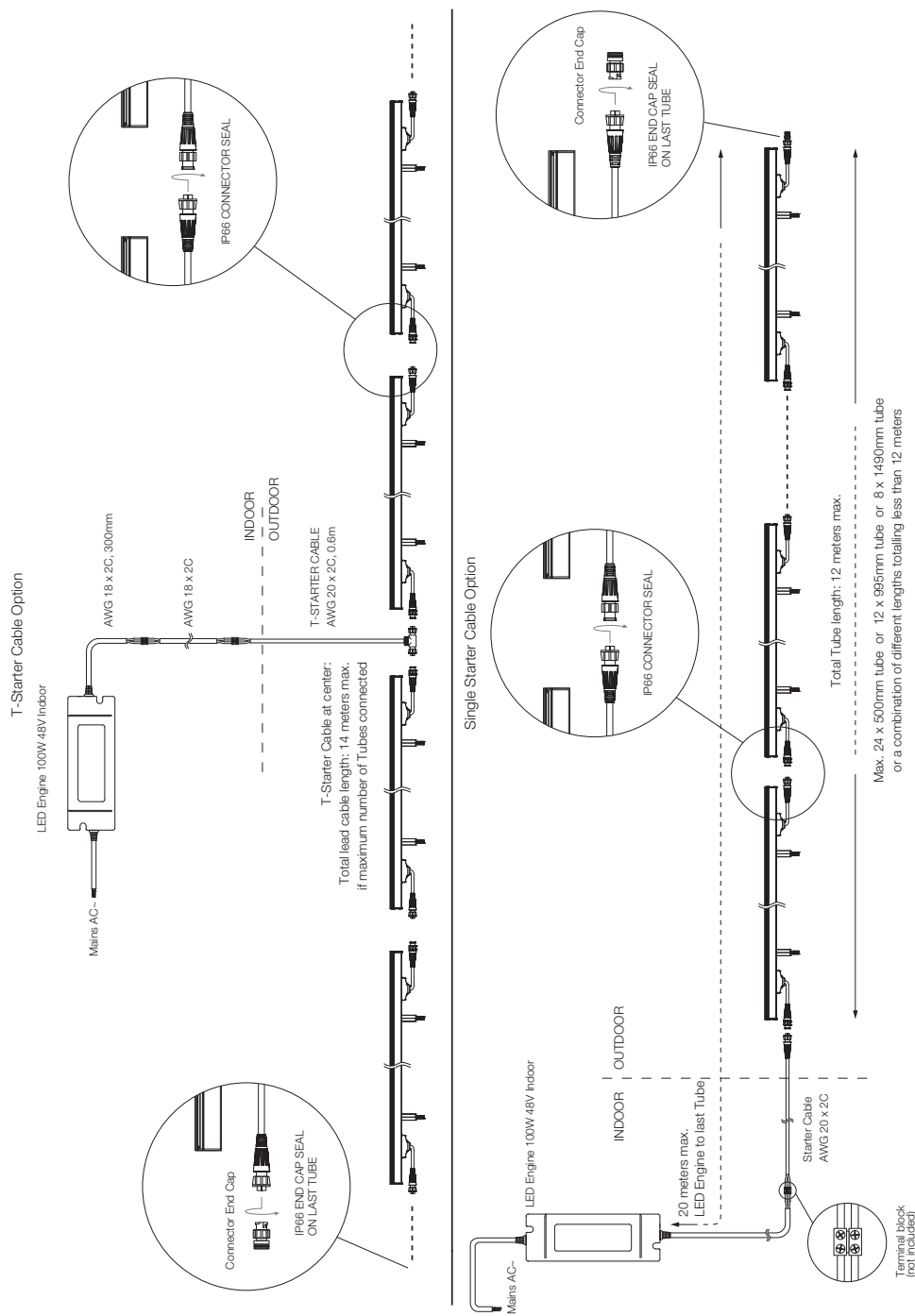
©2016 TRAXON TECHNOLOGIES - AN OSRAM BUSINESS. ALL RIGHTS RESERVED. TRAXON™, TX CONNECT®, ARE TRADEMARKS OF TRAXON TECHNOLOGIES. U.S. PATENTS, E.U. PATENTS, JAPAN PATENTS, OTHER PATENTS PENDING. SPECIFICATIONS ARE SUBJECT TO CHANGE WITHOUT NOTICE.



Monochrome Tube CW

System Diagram

Typical wiring with T-Starter cable and Single Starter cable



www.traxontechnologies.com

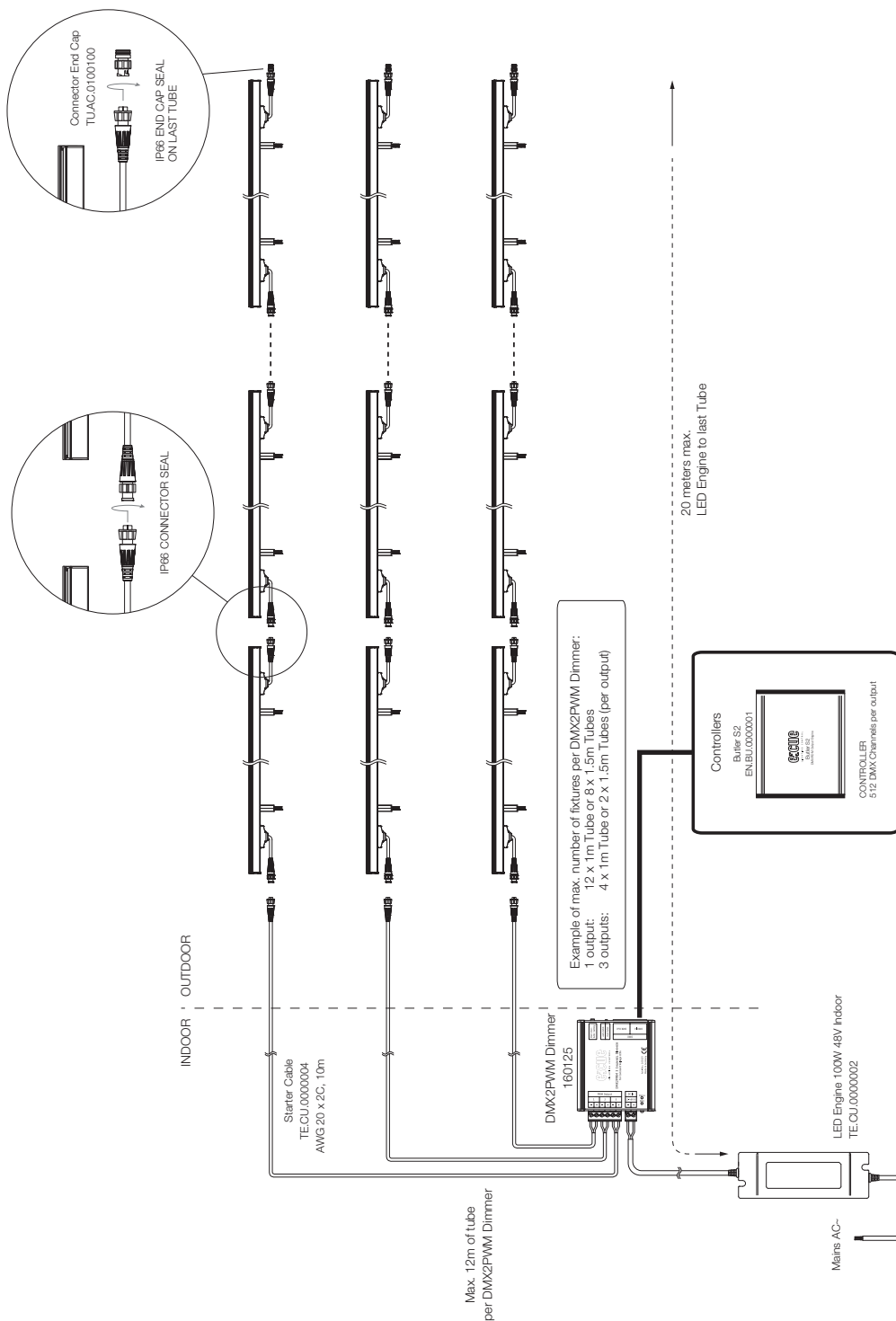
©2016 TRAXON TECHNOLOGIES - AN OSRAM BUSINESS. ALL RIGHTS RESERVED. TRAXON™, TX CONNECT®, ARE TRADEMARKS OF TRAXON TECHNOLOGIES. U.S. PATENTS, E.U. PATENTS, JAPAN PATENTS, OTHER PATENTS PENDING. SPECIFICATIONS ARE SUBJECT TO CHANGE WITHOUT NOTICE.



Monochrome Tube CW

System Diagram

Monochrome Tube with optional DMX2PWM Dimmer



www.traxontechnologies.com

©2016 TRAXON TECHNOLOGIES - AN OSRAM BUSINESS. ALL RIGHTS RESERVED. TRAXON™, TX CONNECT®, ARE TRADEMARKS OF TRAXON TECHNOLOGIES. U.S. PATENTS, E.U. PATENTS, JAPAN PATENTS, OTHER PATENTS PENDING. SPECIFICATIONS ARE SUBJECT TO CHANGE WITHOUT NOTICE.



Monochrome Tube CW

Ordering

Model Number

TU	.	DM	.	0	.	N	.	6	.	0	.	0	.	0	.	1
Length							CCT									
0: 500mm (19.7")							6: CW									
1: 995mm (39.2")																
2: 1490mm(58.7")																

Fixtures

Model No.	Description	Item Code
TU.DM.0060001	Monochrome Tube Diffused 500 CW	AA553770155
TU.DM.0160001	Monochrome Tube Diffused 995 CW	AA553720155
TU.DM.0260001	Monochrome Tube Diffused 1490 CW	AA553700155

TX Connect

Model No.	Description	Item Code
TE.CU.0000003	Monochrome Tube T-Starter Cable (Open Wire), 0.6m	AA5538701FO
TE.CU.0000004	Monochrome Tube Starter Cable (Open Wire), 10m	AA438750055
TU.AC.0100200	Monochrome Tube Interconnection Cable, 1.5m	AA438740055
TU.AC.0100100	Connector End Cap	AA438590055

Optional Accessories

Model No.	Description	Item Code
TU.AC.0100400	Monochrome Tube Mounting Bracket (25mm), 2pcs	AA556500055

TX Control

Model No.	Description	Item Code
160125	DMX2PWM 3CH Dimmer	AA623900135
EN.BU.0000001	Butler S2	AB436200031

TX Power

Model No.	Description	Item Code
TE.CU.0000002	LED Engine 100W Indoor 48V	AA438610055
PS.CU.0000008	LED Engine 100W Outdoor 48V	AA766150055



AN OSRAM BUSINESS

©2016 TRAXON TECHNOLOGIES - AN OSRAM BUSINESS. ALL RIGHTS RESERVED. TRAXON™, TX CONNECT®, ARE TRADEMARKS OF TRAXON TECHNOLOGIES. U.S. PATENTS, E.U. PATENTS, JAPAN PATENTS, OTHER PATENTS PENDING. SPECIFICATIONS ARE SUBJECT TO CHANGE WITHOUT NOTICE.