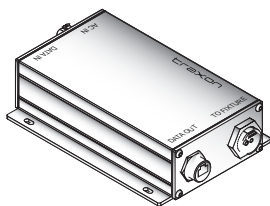


Date: _____ Quantity: _____

Company: _____

Project: _____



Allegro AC Data Injector II

The Allegro AC Data Injector II is used in conjunction with Traxon's Allegro AC XB RGB / DW high brightness fixtures, allowing simple connections of an AC daisy-chain system with DMX512 control with universal voltage.



Accessories

Model No.	Description	Item Code
XB.AC.3100000	Allegro AC Data Injector II (CE / ETL) (120V / 230V)	AA746230055
XB.AC.3100001	Allegro AC Data Injector II (CE / ETL) (120V / 230V / 277V)	AA792880055

Product Specifications

Model No.	XB.AC.3100000	XB.AC.3100001
Power Input	AC line (100-240V AC 50/60Hz)	AC line (100-305V AC 50/60Hz)
Data Input / Output	DMX512 / DMX512 with 96-address offset	
Power / Data Output	AC + Data	
Power Consumption	2W max.	
Input Current	10A AC max. on AC connectors	
Output Current (Fixture)	9.9A AC max. on AC connectors	
Housing	Aluminium	
Adjustment Options	-	
Size (L x W x H)	238mm x 142mm x 54mm 9.4" x 5.6" x 2.1"	
Weight	1kg/2.2lbs	
Regulatory Listing & Safety Approval	CE, cETLus	
Operating Temperature	-30°C to +50°C / -22°F to +122°F	
Storage Temperature	-40°C to +70°C / -40°F to +158°F	
Environment	Outdoor (IP66)	
Humidity	90% max. non-condensing	

Connector Specifications

POWER IN	3-pin male connector
DATA IN	RJ45
DATA OUT	RJ45
POWER / DATA OUT	5-pin female connector

LED CHARACTERISTICS Because LEDs are semiconductor devices, their performances are subject to inherent variability commonly found in semiconductor industry. To improve consistency in performance across the same product, LED manufacturers "sort" LEDs into bins according to different preset parameters, such as forward driving voltage, illumination, etc. Whereas binning is a sorting function, it is not a correction process. Inherent variability in the manufacturing process results always in different binning distributions according to different production lots. Traxon uses automatically binned LEDs on its products, thereby minimizing output variations within the model range.

As with all electronic devices, LED output degrades over time – a term called lumen depreciation. This also explains why it is nearly impossible to expect photometric performances of two LED products with different service life spans to be the same. The rate of LED degrade is a complicate function of many factors such as operating efficiency, duration of continuous operation, and more significantly, environmental conditions (ambient temperature for example). If allowed working under optimal operating temperature range and with good ventilation, LED devices enjoy long service lives over conventional light sources. When using/installing LED devices, care should be taken to ensure that the devices will operate within the operating conditions specified in respective product literature.

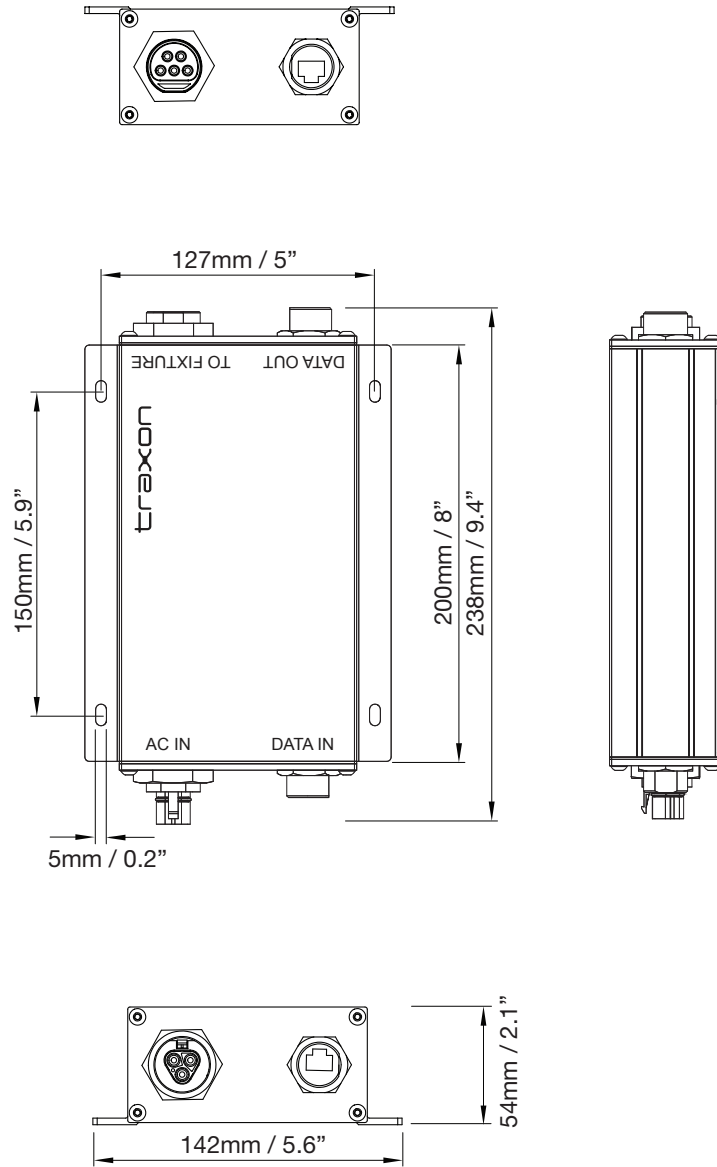
Lumen measurement complies with LM-79-08 standard.
Lumen maintenance is calculated based on LM-80 compliant measurement.

www.traxontechnologies.com

©2015 TRAXON TECHNOLOGIES - AN OSRAM BUSINESS. ALL RIGHTS RESERVED. TRAXON™, TX CONNECT®, ARE TRADEMARKS OF TRAXON TECHNOLOGIES. U.S. PATENTS, E.U. PATENTS, JAPAN PATENTS, OTHER PATENTS PENDING. SPECIFICATIONS ARE SUBJECT TO CHANGE WITHOUT NOTICE.

Allegro AC Data Injector II

Dimensions



Allegro AC Data Injector II

System Diagram

