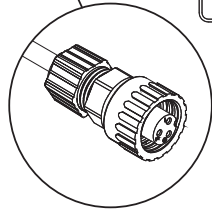
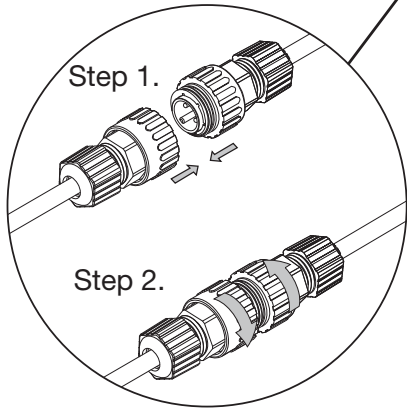


Mains AC ~

Junction Box

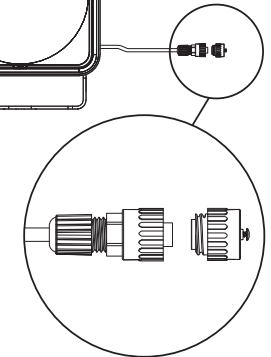


3-pin female connector




Step 1.

Step 2.



Use end cap for final fixture in chain

 <small>Please check for the latest updates and changes on the TRAXON website. © 2015, TRAXON TECHNOLOGIES. ALL RIGHTS RESERVED. WWW.TRAXONTECHNOLOGIES.COM</small>	TITLE: SYSTEM WIRING DIAGRAM	DATE: 18 MAY 2015
	PRODUCTS: WASHER ALLEGRO AC XB	SCALE: NOT TO SCALE
	PAGE: 1 OF 1	VER: 1.1