

Light is intelligent

SYMPL Modular Controller Range and SYMPHOLIGHT 2.0

The powerful lighting control software for simple to complex lighting applications. **Light is OSRAM**

Our Brands

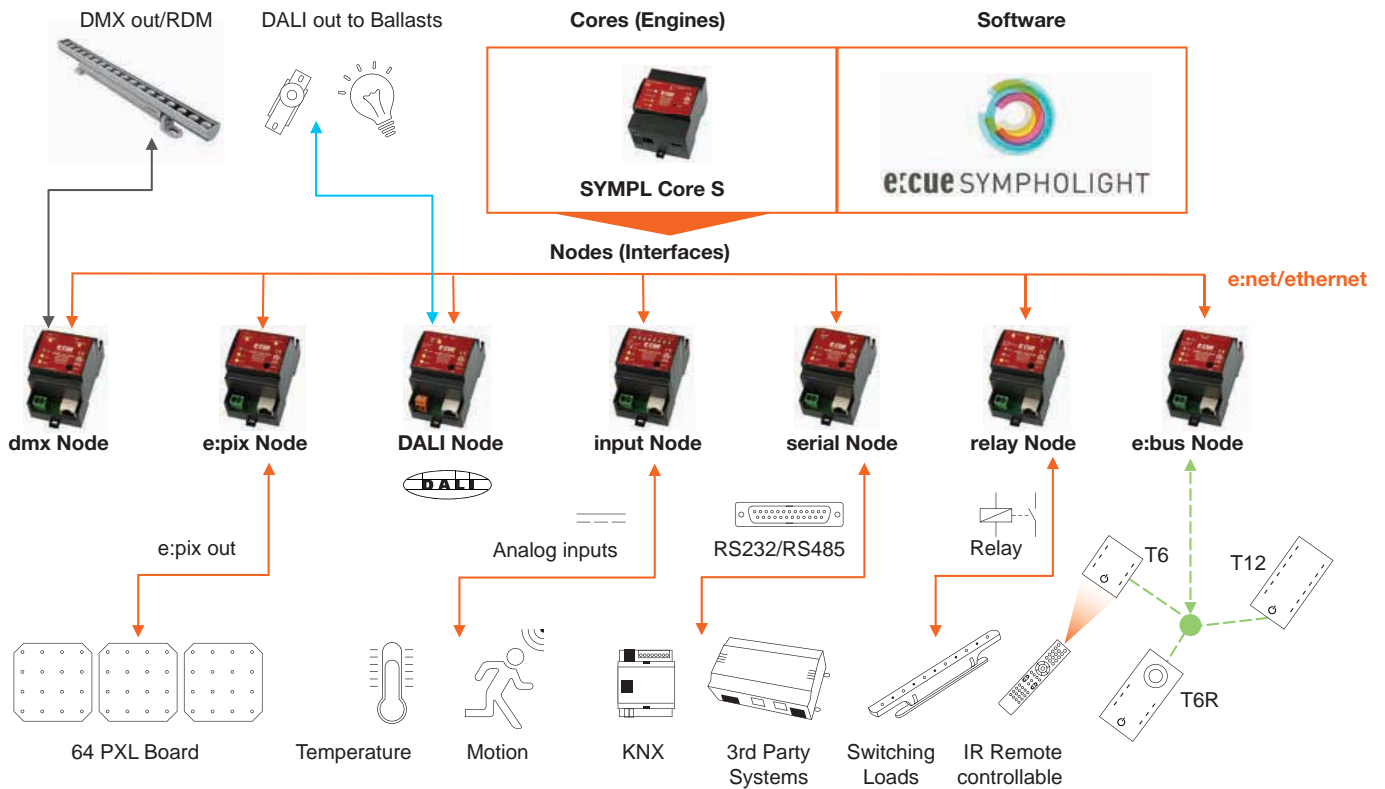
siteco traxon e:cue

OSRAM

e:cue SYMPL Modular Controller Range

SYMPL is the new, scalable and easy to use controller portfolio for a various number of lighting control tasks. Simplicity and flexibility are the main features within the SYMPL Modular Controller Range approach, control devices can be individually tailored and combined to any lighting project needs, also creating an added value regarding planning and installation.

SYMPL features a fully decentralized system architecture and ensures a customizable project setup with sophisticated control devices on a unified and Ethernet-based system bus. The Quick Link Mode simplifies IP configuration and system setup. The SYMPL Modular Controller Range offers a large variety of system interfaces, such as: DMX/RDM, e:pix, DALI, Serial, Relay, Inputs or e:bus.





SYMPL Core S

e:cue SYMPL Core S is a standalone engine for e:cue SYMPHOLIGHT. It executes SYMPHOLIGHT shows in small to medium-sized control projects and orchestrates all available SYMPL Nodes. It includes a full license of e:cue SYMPHOLIGHT which can be shared with a user in the same network, making an additional license dongle superfluous.



SYMPL dmx Node

The SYMPL dmx Node is a two DMX/RDM universe interface. It provides two independent DMX/RDM inputs/outputs for two DMX512 universes enabling bidirectional communication with fixtures. The SYMPL dmx Node can be powered by an external power supply or via Power-over-Ethernet (PoE).



SYMPL e:pix Node

The SYMPL e:pix Node is a e:pix interface with two universe output. It provides two independent e:pix interfaces for two e:pix universes with 2048 channels each. The SYMPL e:pix Node can be powered by an external power supply or via Power-over-Ethernet (PoE).



SYMPL dali Node

The e:cue SYMPL dali Node is a single line DALI interface. It provides a DALI interface for up to 64 DALI devices in one line including bus power and full support for DALI ballast and OSRAM sensors / inputs. The SYMPL dali Node is powered by an external power supply.



SYMPL input Node

The e:cue SYMPL input Node is an eight-channel analog input interface. It provides eight independent analog 10 V inputs, which can be used as digital inputs as well. Four inputs also support 20 mA constant current input, configurable with four slide switches. The e:cue SYMPL input Node can be powered by an external power supply or via Power-over-Ethernet (PoE).



SYMPL serial Node

The e:cue SYMPL serial Node is a serial interface. It provides two independent serial interfaces, one RS-232 and one RS-485 port. The e:cue SYMPL serial Node is powered by an external power supply or via Ethernet (PoE).



SYMPL relay Node

The e:cue SYMPL relay Node is a switching interface. It provides three relay interfaces in single-pole, double-throw configuration. The e:cue SYMPL relay Node can be powered by an external power supply or via Power-over-Ethernet (PoE).



SYMPL e:bus Node

The e:cue SYMPL e:bus Node is a single channel e:bus interface. It provides an e:bus interface for up to eight e:bus devices like e:cue GLASS TOUCH terminals. The e:cue SYMPL e:bus Node is powered by an external power supply or via Power-over-Ethernet (PoE).

SYMPHOLIGHT 2.0



Developed with superior usability in mind, e:cue SYMPHOLIGHT is a simple yet powerful lighting control software with an intuitive graphic user interface. Based on advanced timeline programming, SYMPHOLIGHT combines easy fixture and project set-up, content creation, automation and execution control in a single application. With powerful scripting capabilities, visual automation tools, and remote control via any web browser, SYMPHOLIGHT provides easy and playful design experiences even for the most sophisticated lighting and media applications.

SYMPHOLIGHT 2.0 includes innovative and intuitive tools that facilitate the design of simple to complex lighting shows. Position lighting fixtures in a project plan and configure devices in the central control system. In addition to programming special lighting effects, video-to-light pixel mapping, visualization of the lighting installation is possible. Advanced triggering and visual automation tools provide capabilities for a wide spectrum of lighting installations, including multimedia, show and functional lighting control as well as building automation integration.

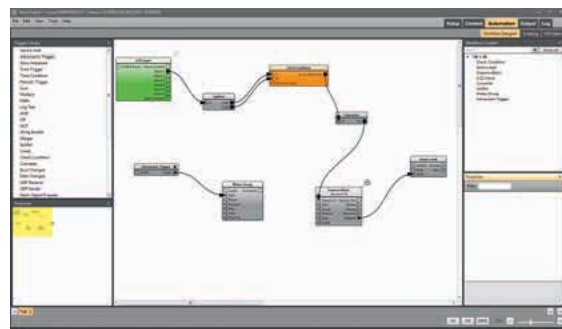
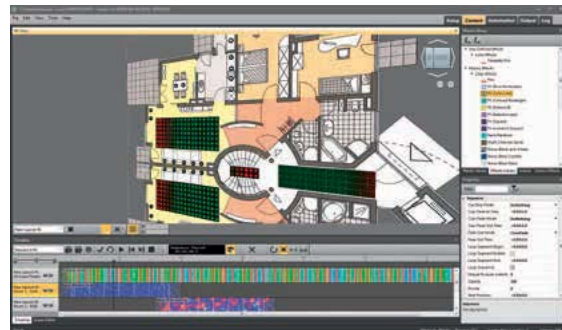
Features at a glance

- Patching, device setup, programming and execution in one single application
- Easy control of both DMX and DALI fixtures
- Full integration and support for all e:cue SYMPL Modular Controller Range devices and many classic e:cue devices, like Butlers and Glass-Touches
- Powerful “Workflow Designer”, a visual automation tool for easy and extremely versatile automation of any kind of internal or external data and source
- 3D support for advanced projects with more than just a flat surface
- Easy programming even for complex routines without usage of scripting languages
- Simulation capability for both design and execution stages
- HTML5-based Graphic User Interface (GUI) Editor for wired or wireless show control via any web browser on any device or Operating System

System requirements

Minimum configuration for all sizes:

- Microsoft® Windows® 7 SP1 32 Bit or better
- Internet Explorer 10 or better
- 4 GB RAM
- A minimum of 20 GB hard disk space
- Dual-Core processor or better
- DirectX9 supported graphics adapter
- A minimum of one Ethernet interface for connections to engines and interfaces



The intelligent light management system

The SYMPL range consist of two main components, which can be combined in multiple ways and tailored to any individual project's needs. The SYMPL Core S is the heart of the system and is responsible for orchestrating all SYMPL Nodes and dimmers. The SYMPL Core S is running e:cue's new light management software SYMPHOLIGHT and ensures full performance of each installation with every SYMPL Core without any Standalone limitation. SYMPL Nodes are the intelligent interfaces to fixtures, sensors or other control systems and come with unified dimensions, power inputs and system bus throughout the entire range to ease installation, extension and maintenance.

Features at a glance

- Scalable control solution on a unified Ethernet-based system bus
- Control DALI and DMX fixtures with one system
- Extend systems with additional devices at any time
- Setup lighting control networks with a fingertip
- Adapt lighting control systems flexibly if requirements change in any project phase



Skatepark in the Otto-Dullenkopf-Park – Karlsruhe, Germany

Chevy Chase Pavilion – Washington, D.C., USA

OSRAM GmbH

Head office:

Marcel-Breuer-Strasse 6
80807 Munich, Germany
Phone +49 89 6213-0
Fax +49 89 6213-2020
www.osram.com

Siteco Beleuchtungstechnik GmbH

Head office:

Georg-Simon-Ohm-Strasse 50
83301 Traunreut, Germany
Phone +49 8669 33-0
Fax +49 8669 33-397
www.siteco.com

Our Brands

siteco traxon e:cue

OSRAM

Order number 802P038GB
LS Marketing 10.2016 | Technical modifications and errors subject to change.

