



## Cove Light AC HO RGBW

The Cove Light AC HO RGBW is a slim profile, AC line powered high brightness luminaire. The luminaire is 4 channel and controllable via DMX512 and perfect for alcove applications. The simplicity of the luminaire's topology allows it to be easily daisy-chained to form long runs.



IP20

### Product Specifications

	HO-6	HO-12	HO-18
<b>Light Source</b>	24 LEDs	48 LEDs	72 LEDs
<b>Color</b>	Red - Green - Blue - White (3000K)		
<b>Color Range</b>	16.7 million additive RGB colors and White		
<b>Color Resolution</b>	14-bit (Gamma correction)		
<b>Beam Angle</b>	120° x 120°		
<b>Luminous Flux</b>	329 lm	619 lm	978 lm
<b>Efficacy</b>	30 lm/W typ.		
<b>Lumen Maintenance</b>	L70 @25°C - 80,000hrs		
<b>Cover Lens</b>	Diffused PC cover		
<b>Housing</b>	Aluminium		
<b>Adjustment Options</b>	±90° tilt (10° steps)		
<b>Dimensions (L x W x H)</b>	304 x 39 x 50mm 12" x 1.5" x 1.9"	609 x 39 x 50mm 24" x 1.5" x 1.9"	913 x 39 x 50mm 36" x 1.5" x 1.9"
<b>Weight</b>	0.45kg/1lbs	0.85kg/1.9lbs	1.2kg/2.7lbs
<b>Regulatory Listing &amp; Safety Approval</b>	Electrical Protection Class I, CE		
<b>Operating Temperature</b>	-20°C to +45°C/-4°F to +113°F		
<b>Storage Temperature</b>	-40°C to +70°C/-40°F to +158°F		
<b>Environment</b>	Indoor (IP20)		
<b>Humidity</b>	0-90%, non-condensing		

### Electrical Specifications

<b>Input Voltage</b>	220-240V AC 50/60Hz		
<b>Power Consumption</b>	11W typical, 13W max.	22W typical, 26W max.	33W typical, 39W max.
<b>Power Factor</b>	≥ 0.9		

### System Specifications

<b>Power</b>	AC line
<b>Control</b>	DMX512; 4x DMX512 addresses per fixture (R-G-B-W)
<b>Power Supply</b>	Built-in
<b>Fixture Interconnection</b>	Up to 32 units, 5.9A per run max.

**LED CHARACTERISTICS** Because LEDs are semiconductor devices, their performances are subject to inherent variability commonly found in semiconductor industry. To improve consistency in performance across the same product, LED manufacturers "sort" LEDs into bins according to different preset parameters, such as forward driving voltage, illumination, etc. Whereas binning is a sorting function, it is not a correction process. Inherent variability in the manufacturing process results always in different binning distributions according to different production lots. Traxon uses automatically binned LEDs on its products, thereby minimizing output variations within the model range.

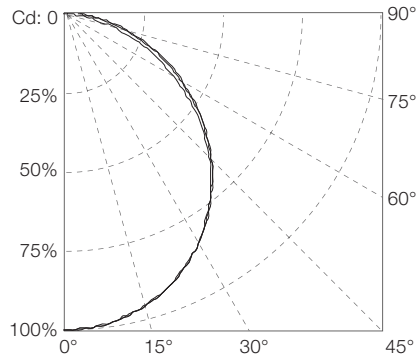
As with all electronic devices, LED output degrades over time – a term called lumen depreciation. This also explains why it is nearly impossible to expect photometric performances of two LED products with different service life spans to be the same. The rate of LED degrade is a complicate function of many factors such as operating efficiency, duration of continuous operation, and more significantly, environmental conditions (ambient temperature for example). If allowed working under optimal operating temperature range and with good ventilation, LED devices enjoy long service lives over conventional light sources. When using/installing LED devices, care should be taken to ensure that the devices will operate within the operating conditions specified in respective product literature.

Lumen measurement complies with LM-79-08 standard.  
 Lumen maintenance is calculated based on LM-80 compliant measurement.

[www.traxontechnologies.com](http://www.traxontechnologies.com)

©2020 TRAXON TECHNOLOGIES - AN OSRAM BUSINESS. ALL RIGHTS RESERVED. TRAXON™, TX CONNECT®, ARE TRADEMARKS OF TRAXON TECHNOLOGIES. U.S. PATENTS, E.U. PATENTS, JAPAN PATENTS, OTHER PATENTS PENDING. SPECIFICATIONS ARE SUBJECT TO CHANGE WITHOUT NOTICE.

### Candela Distribution

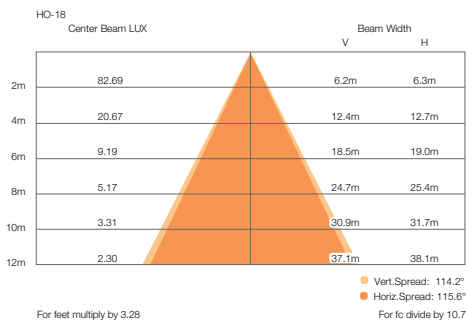
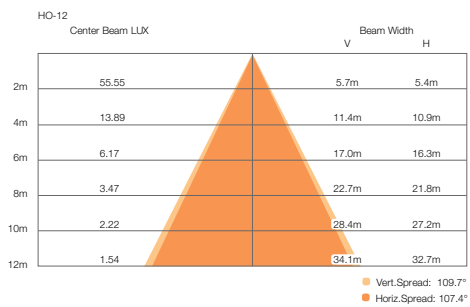
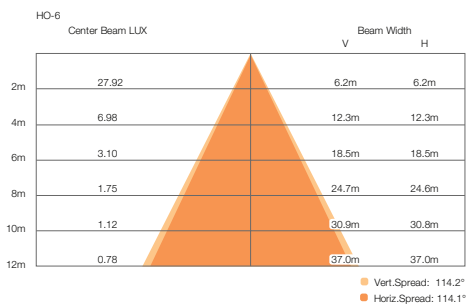


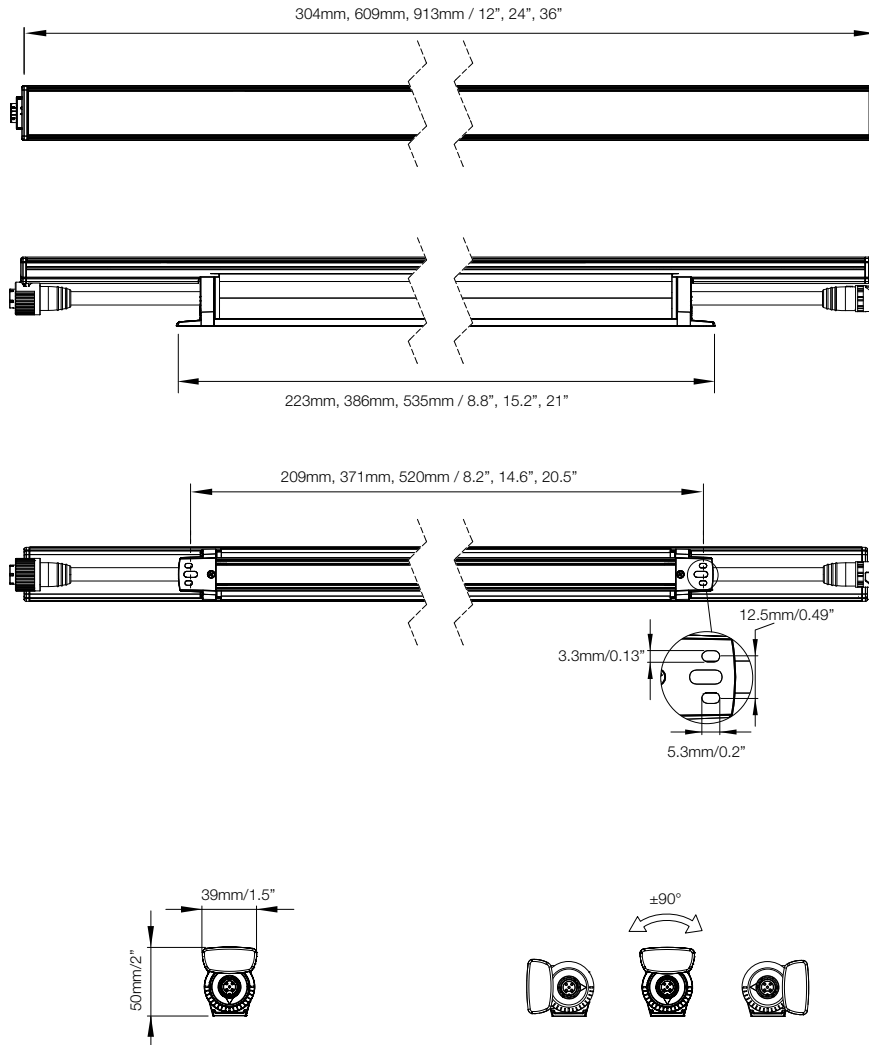
### Light Output

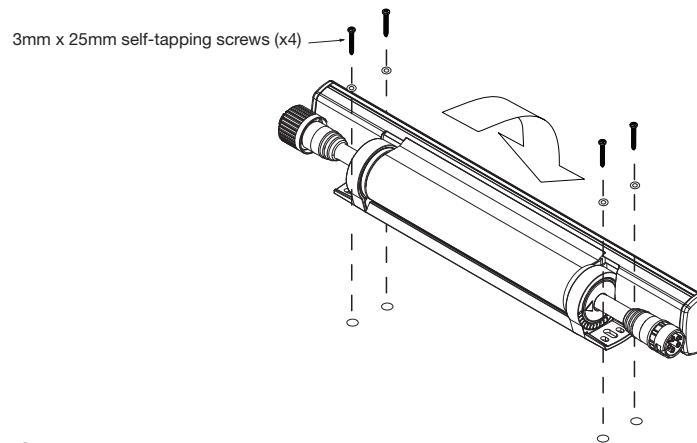
Color	Luminous Flux (lm)	Candela Distribution @100%	Power	Efficacy (lm/W)
<b>HO-6</b>				
White (full on)	328.68	111.79	12.19	26.96
<b>HO-12</b>				
White (full on)	618.89	222.21	21.83	28.35
<b>HO-18</b>				
White (full on)	978.14	331.11	31.38	31.17

Diagram based on Cove Light AC RGBW HO-6

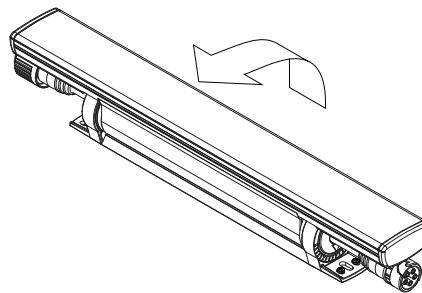
### Illuminance at a Distance

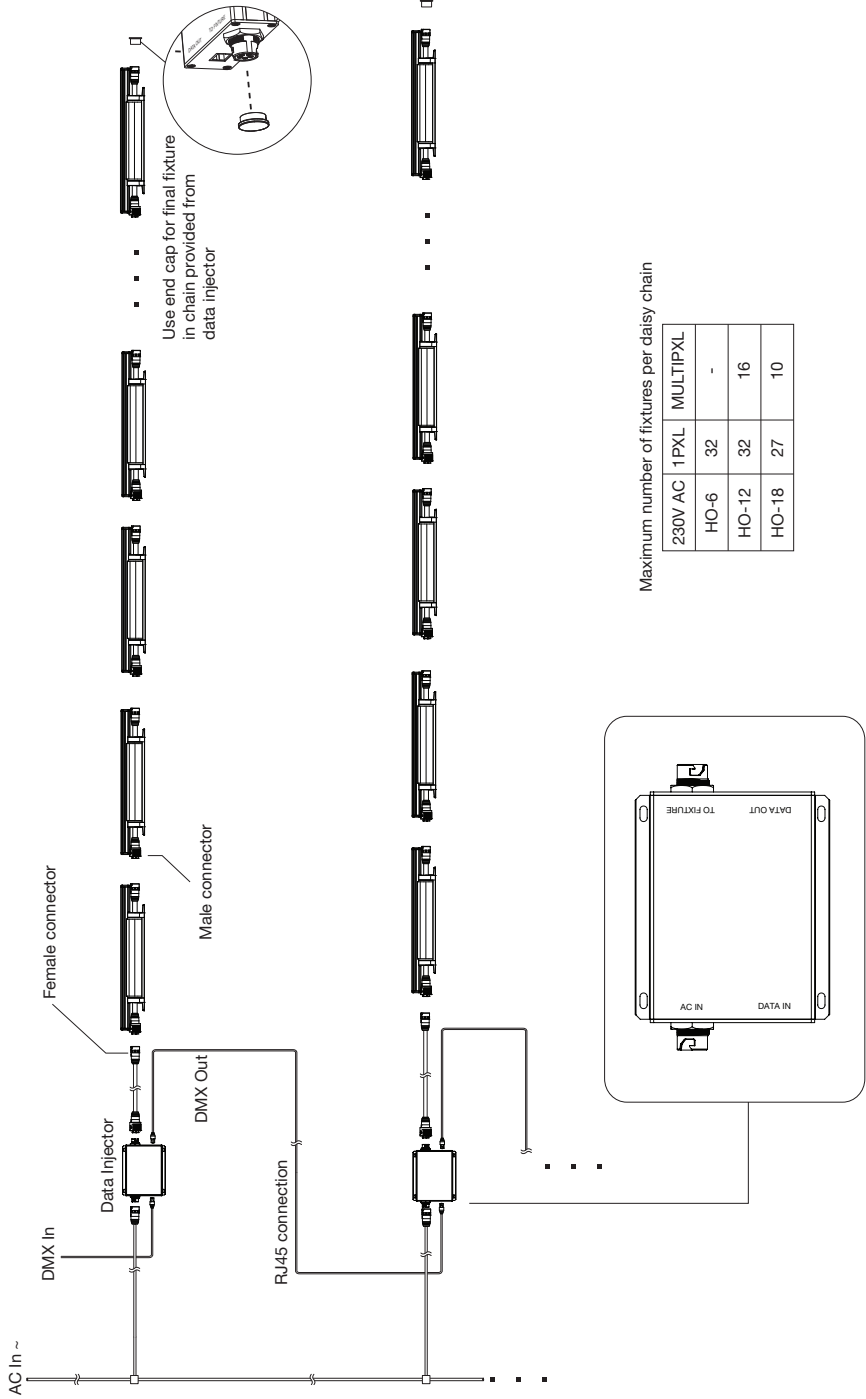






- ① Rotate fixture to gain access to mounting holes.  
Fix screws to mounting brackets.







## Cove Light AC HO RGBW

Ordering

### Fixtures (MULTI-PXL version) 230V

Model No.	Description	Item Code
MB.CW.1223001	Cove Light AC HO-12 RGBW 120X120deg (CE 230V)	AB316490055
MB.CW.1823001	Cove Light AC HO-18 RGBW 120X120deg (CE 230V)	AB316500055

### Fixtures (1PXL version) 230V

Model No.	Description	Item Code
MB.CW.062300A	Cove Light AC HO-6 RGBW 120X120deg 1PXL (CE 230V)	AB316410055
MB.CW.122300A	Cove Light AC HO-12 RGBW 120X120deg 1PXL (CE 230V)	AB316420055
MB.CW.182300A	Cove Light AC HO-18 RGBW 120X120deg 1PXL (CE 230V)	AB316430055

### Accessories

Model No.	Description	Item Code
MB.AC.2000200	Cove Light AC HO RGBW Starter Cable (CE), 3m/10ft	AA741570055
MB.AC.2000400	Cove Light AC HO RGBW Interconnection Cable (CE), 1m/3ft	AA741590055
MB.AC.2000700	Cove Light AC HO RGBW Data Injector (CE / ETL)	AB300080055



©2020 TRAXON TECHNOLOGIES - AN OSRAM BUSINESS. ALL RIGHTS RESERVED. TRAXON™, TX CONNECT®, ARE TRADEMARKS OF TRAXON TECHNOLOGIES. U.S. PATENTS, E.U. PATENTS, JAPAN PATENTS, OTHER PATENTS PENDING. SPECIFICATIONS ARE SUBJECT TO CHANGE WITHOUT NOTICE.