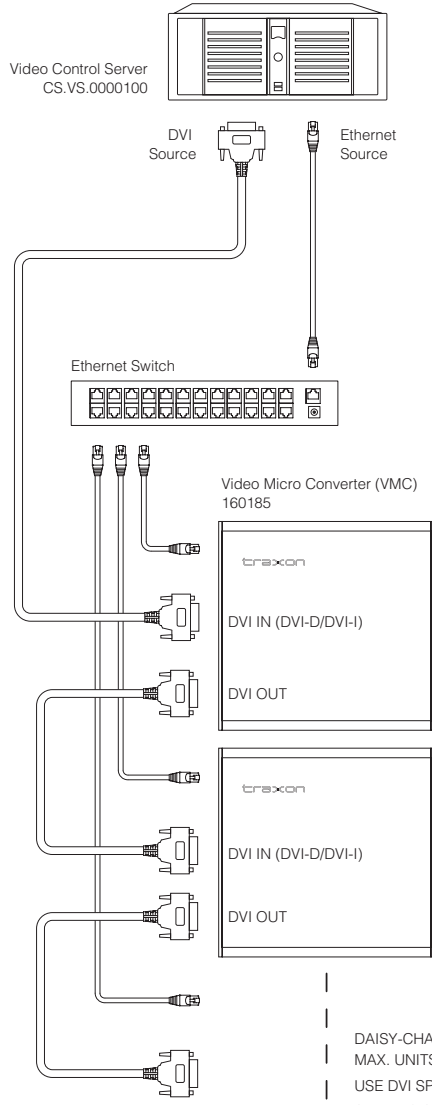


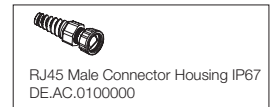
INDOOR

OUTDOOR



DAISY-CHAINED VMCs
 MAX. UNITS PER CHAIN: 8
 USE DVI SPLITTER FOR FURTHER VMC CHAINS
 SEE VMC SPECIFICATION FOR MORE INFORMATION

To construct a longer Data Bridge Cable, use Indoor Data Cable and Outdoor RJ45 Housing.



TX Connect Data Indoor/Outdoor Bridge Cable (5m/16.4ft) (DE.AC.0000100)

Maximum: 100m



Maximum 8 outputs.



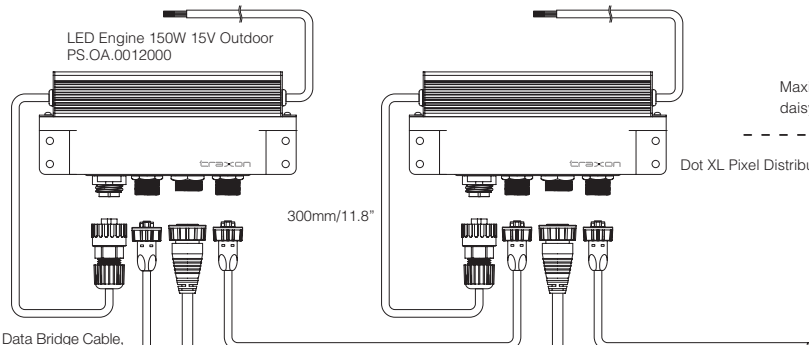
Each output: 1536 channels.
 Total on 8 outputs: 12288 channels.

Only 6 outputs are available if configured for 2048 channels per output.



AC 110V/220V 50/60Hz

Installation engineer should use appropriate plugs for outdoor connection.



Maximum number of Pixel Distributors in the daisy chain depends on available DMX and e:pix channels.

Round lead cable: 300mm

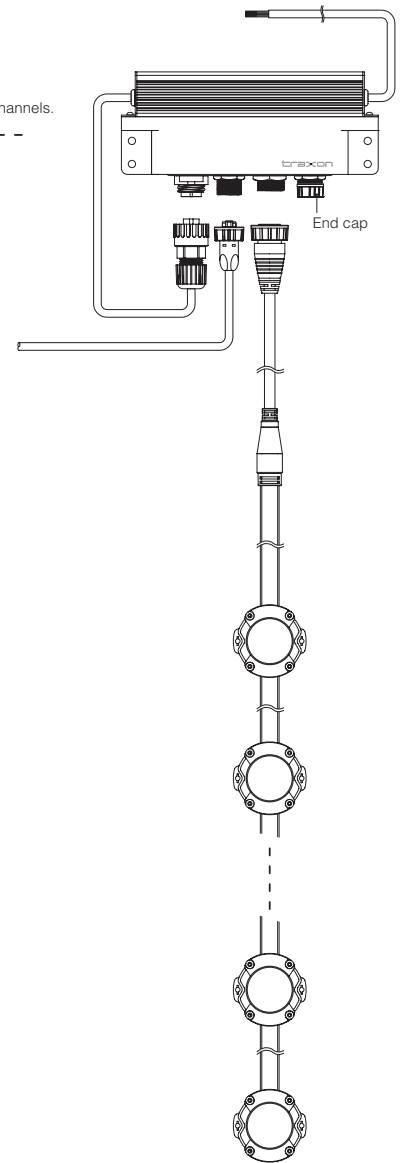
Flat lead cable:
 Maximum lead cable length depends on the number of dots and the dot pitch.
 For a 32-Dot XL-9 on a 300mm pitch, max. lead cable length is 5m.

First dot of string
 DMX Address:
 First 3 channels of string

Last dot of string

1PXL dots
 3 channels per dot
 Dot pitch:
 Minimum: 150mm

Maximum dots per string:
 32 for Dot XL-9, 96 DMX channels (5 strings per DMX512)
 47 for Dot XL-6, 120 DMX channels (4 strings per DMX512)



traxxon

Please check for the latest updates and changes on the TRAXXON website.
 © 2012, TRAXON TECHNOLOGIES. ALL RIGHTS RESERVED.
 WWW.TRAXONTECHNOLOGIES.COM

TITLE: SYSTEM WIRING DIAGRAM

PRODUCTS: DOT XL-6 / DOT XL-9
 LED ENGINE 150W 15V OUTDOOR
 VIDEO MICRO CONVERTER

DATE: 15/03/2012

DWG. BY: BLEE

SCALE: NOT TO SCALE

PAGE: 1 OF 1 VER: 1.2